

Automatic swing doors sealed hermetically in steel inox



AREAS OF INSTALLATION

- Operating rooms
- Postoperating rooms
- Preoperating rooms
- Surgery washing
- Radiology



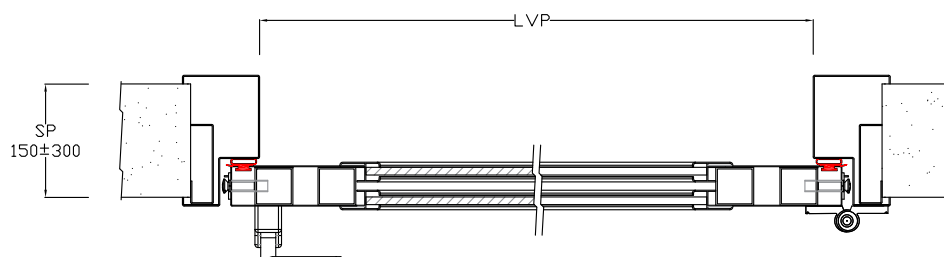
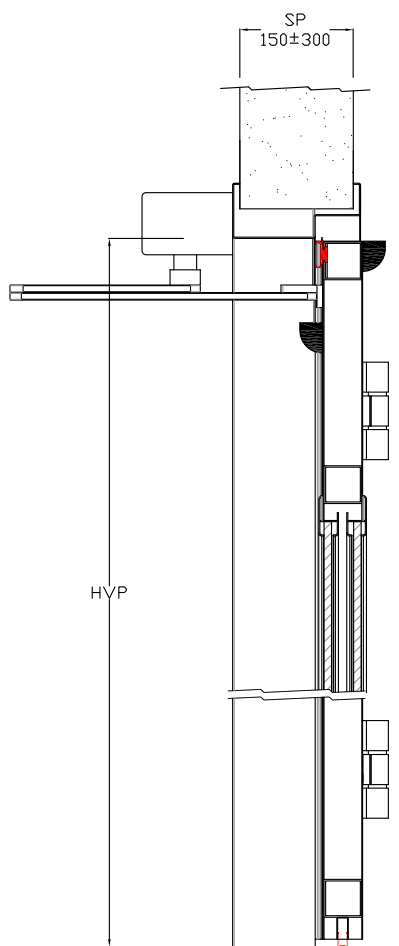
Visualize the video of this product with **QR technology**

ANTI-X PROTECTION

For installations in operating rooms or ambulances and radiological rooms, in which radiologic X machines are used. The doors can be framed with Anti-X protection, created with a lead sheet of 1,2 mm or superior window which is equivalently sheeted.



TECHNICAL DESIGNS

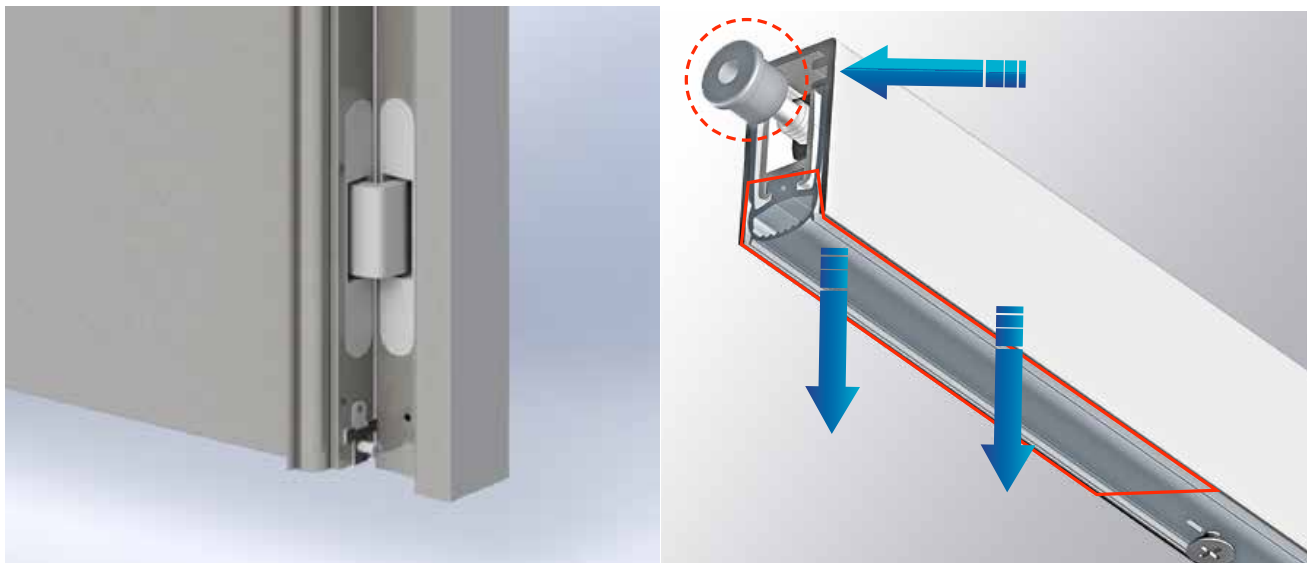


In the operative departments it is often not possible to install sliding doors, for these particular applications Engineering Marketing has made a series of hinged door leaves, using the same material as it is typically constructed for the sliding doors and also guaranteeing, in this case, the best solution for all needs of function, resistance, security, sanitization and disinfection.

Sealed hermetically

The hermetic use represents the fundamental characteristics of an automatic door for operating rooms and is in her greatest performance properly obtainable and concentrated from the beginning as a developing design.

The hermetic use guarantees, thanks to the special trimming of silicone placed along all three sides of the door leaves assembling, once practising the pressure, the perfect hermetic ambiance during the time of closing.



The system

The use of a particular trimming expects a system of the door. It is basically about a automatic movement of the gaskets ; the whole occurs first on the hinge side and then on the side of the handle.

Once the trimming is activated, the mechanism has a race of 20 mm, up to 30 minutes.

PHOTO GALLERY



Hospital Doors System

PHOTO GALLERY

